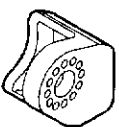

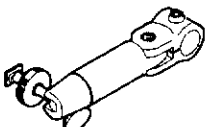
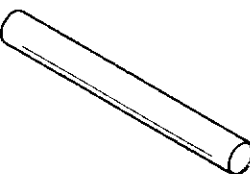
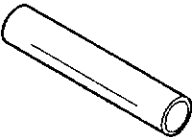

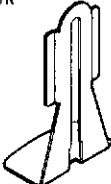
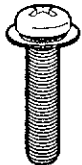


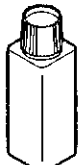


PARTS LIST

| | | | | | |
|---|--|--|--|--|--|
| <p>① Mounting Bracket A X2</p>  | <p>② Mounting Bracket B X2</p>  | <p>③ Monitor Mount X1</p>  | <p>④ Grab Handle (22-7/8") X1</p>  | <p>⑤ Sleeve X1</p>  | |
| <p>⑥ End Cap X2</p>  | <p>⑦ Universal Monitor Mount X1</p>  | <p>⑧ Screw (M6X25) X2</p>  | <p>⑨ Allen Screw (M6X8) X3</p>  | <p>⑩ Allen Wrench X1</p>  | <p>⑪ Liquid Soap X1</p>  |

⚠ CAUTION

- To ensure safe installation of the mounting kit, adjust either the front seat or the mounting kit to prevent contact with front seat occupants.
- To minimize the risk of improper installation and potential injuries, Kenwood recommends that the installation of this unit be performed by a professional.
- Screws must be tightened with the indicated torque (※1).
- This product must be used only as a monitor mount.
- Maximum weight for the Grab Handle is 22 lb. Do not hang from it or subject it to unnecessary weight.
- Installation must be performed according to this installation manual. Kenwood is not responsible for injuries arising from installations not performed strictly in accordance with the procedures in this manual.
- This product is designed to be used with a monitor that is no larger than 8.3 x 5.3 x 1.6 in, weighing 1.25 lb or less. (8-inch wide monitor)
- For rear seat installation only. The monitor must not be visible to the driver.

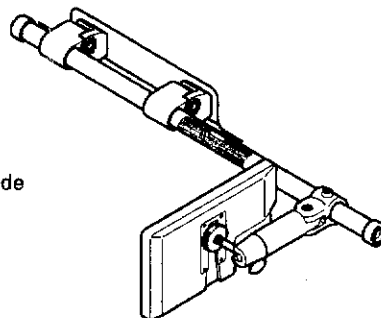
※1) What is torque?

The force required to tighten something is called torque. An adult using a normal screw driver (handle dia.30mm) exerts a force approx 0.72 ~ 1.45 ft.lb. Use a torque meter to measure torque during the installation.

BEFORE YOU BEGIN

FITTING EXAMPLE

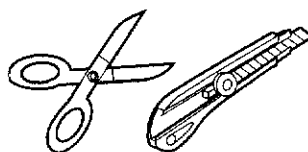
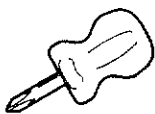
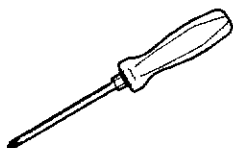
The example figure shows an installation in the rear left side of a vehicle.



•TOOLS 1 Screw driver (+) No.2/No.3

2 Stub-driver (+) No.3

3 Scissors or Cutter



⚠ If you can't remove the assist grip screw by using the above mentioned tools, please ask your local dealer.

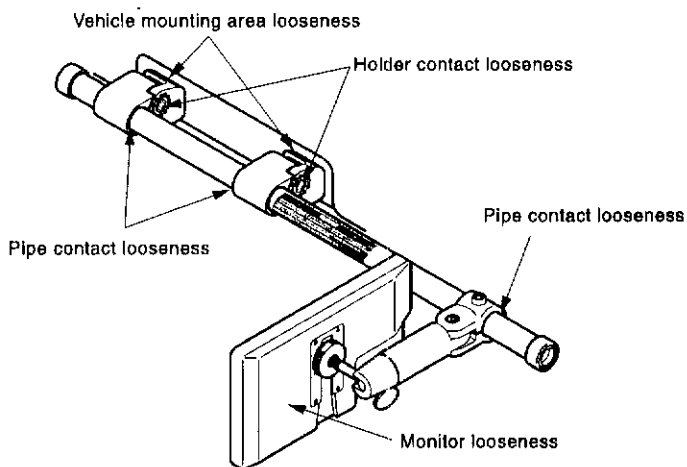
⚠ To prevent damage to the car or product, use the proper tools. Ensure sufficient torque is exerted to tighten the screws.

REGULAR INSPECTION

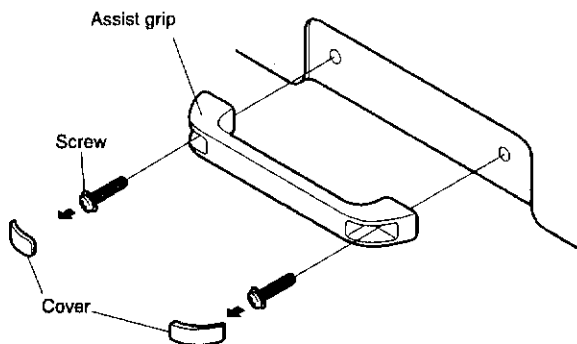
To ensure continued safe operation, inspect the mount according to the following schedule. If any mounting screws have loosened, tighten them to the proper torque level (see other side for details).

| Item | Inspect every month, or immediately after driving on a rough road | Inspect every 6 months | Inspect every year | Remarks |
|---------------------------------|---|------------------------|--------------------|-----------------|
| Monitor looseness | ○ | ○ | ○ | Refer to Step 5 |
| Holder contact looseness | ○ | ○ | ○ | Refer to Step 3 |
| Pipe contact looseness | | ○ | ○ | Refer to Step 5 |
| Vehicle mounting area looseness | | | ○ | Refer to Step 1 |

※2) It is especially important to inspect the mount after driving off-road or on mountain roads.



REMOVING THE ASSIST GRIP

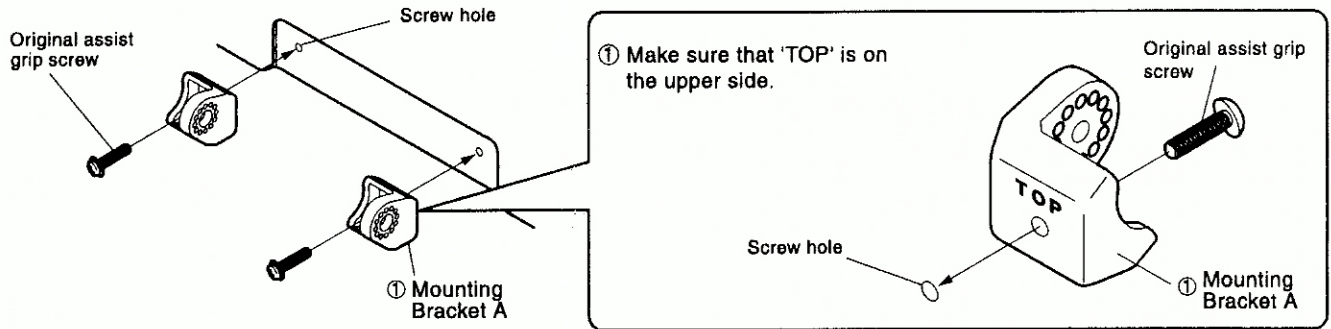


- Remove the assist grip according to the illustration at the left.
- Keep the original screws; don't discard them (they will be used to install the monitor mount).

- ⚠ Keep the assist grip in a safe place.
- ⚠ If you have difficulty removing the assist grip, contact an authorized Kenwood dealer.

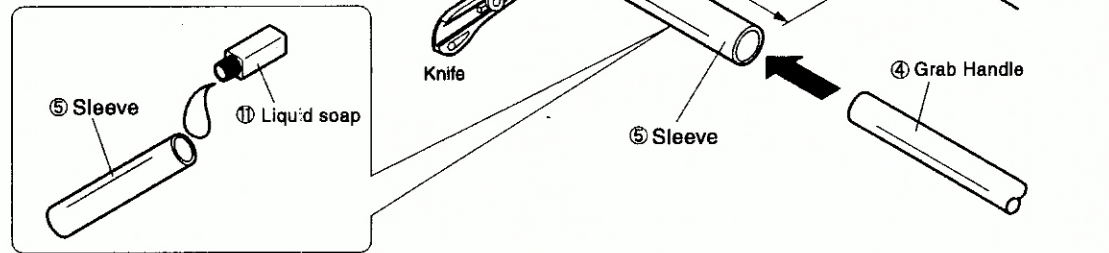
SK-701RM INSTALLATION GUIDE

- 1** · Attach Mounting Brackets A using the original assist grip screws. (Torque: 1.45 ~ 1.81 ft.lb.) Use a torque meter to measure proper torque.



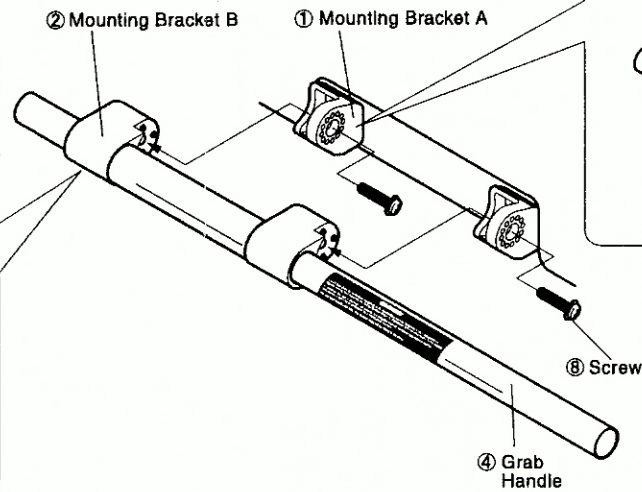
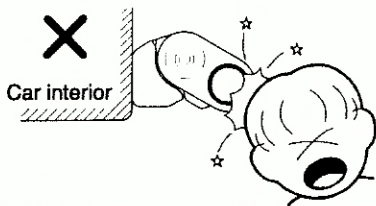
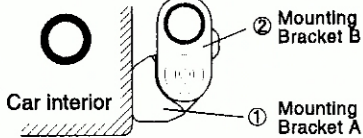
- 2** · Cut the Sleeve 1cm shorter than the length between Mounting Brackets A.
 · Slip the sleeve over the end of the Grab Handle opposite the warning label.
Be sure to install the sleeve so that the warning label will be visible after the installation is complete.
 ※If it is difficult to insert, use the 1 liquid soap provided.
 ※Be careful not to use too much liquid soap.

- ⚠ Don't get any of the liquid soap on the seats or other upholstery.
 ⚠ If the liquid soap goes into your eyes, rinse with plain water.
 Don't rub your eyes.

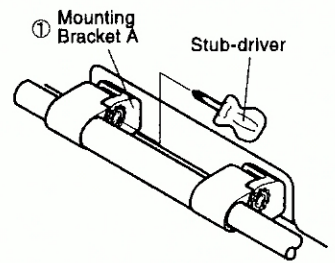


- 3** · Insert the Grab Handle through Mounting Brackets B.
 · Tighten 8 screws to fix 2 Mounting Brackets B to 1 Mounting Bracket A.
 (Torque: 1.45 ~ 1.81 ft.lb.) Use a torque meter to measure proper torque.

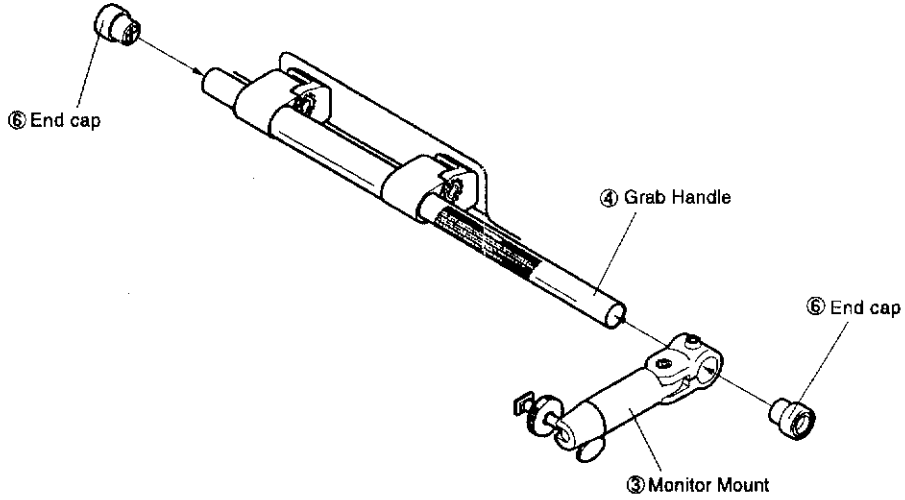
To prevent injury, ensure that 2 Mounting Brackets B are fixed as close as possible to the vehicle's interior surface.



When the gap between 1 Mounting Brackets A is small, use a stub-driver.

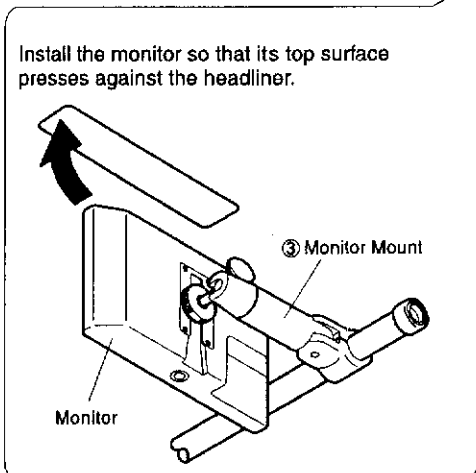
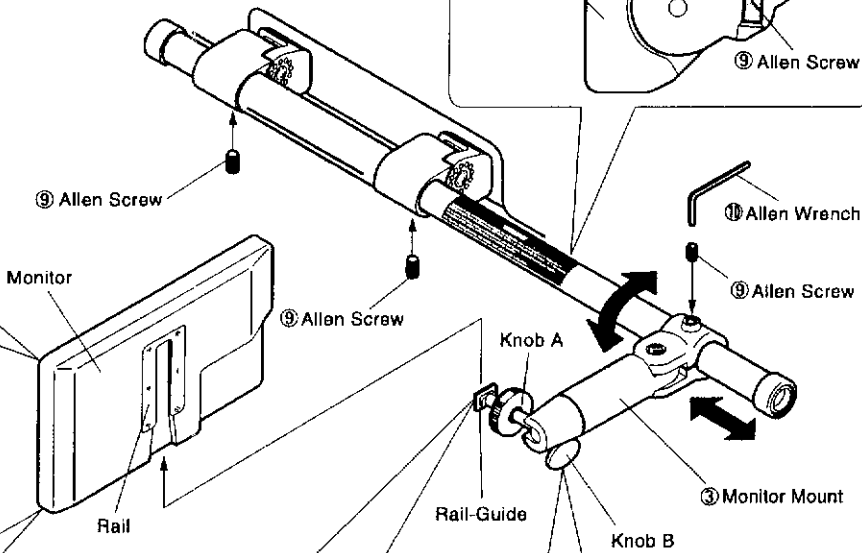
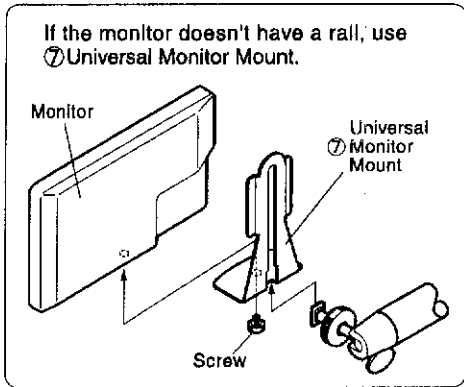
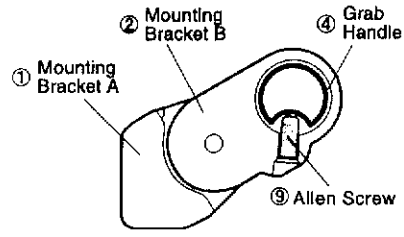


4 - Attach the **3** Monitor Mount to the **4** Grab Handle. Fix **6** end caps to the **4** Grab Handle.

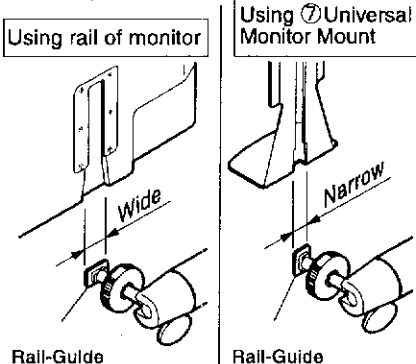


5 - Attach the monitor. Adjust the position. Fix with **9** Allen screws. (Torque: 1.81 ~ 2.17 ft.lb.) Use a torque meter to measure proper torque. Refer to the monitor's manual for detailed information.

9 Allen screws must be tightened until the **4** Grab Handle is indented.



Rotate the rail-guide so it fits the rail you are using.



To prevent the monitor from detaching, tighten knobs A and B securely.

